

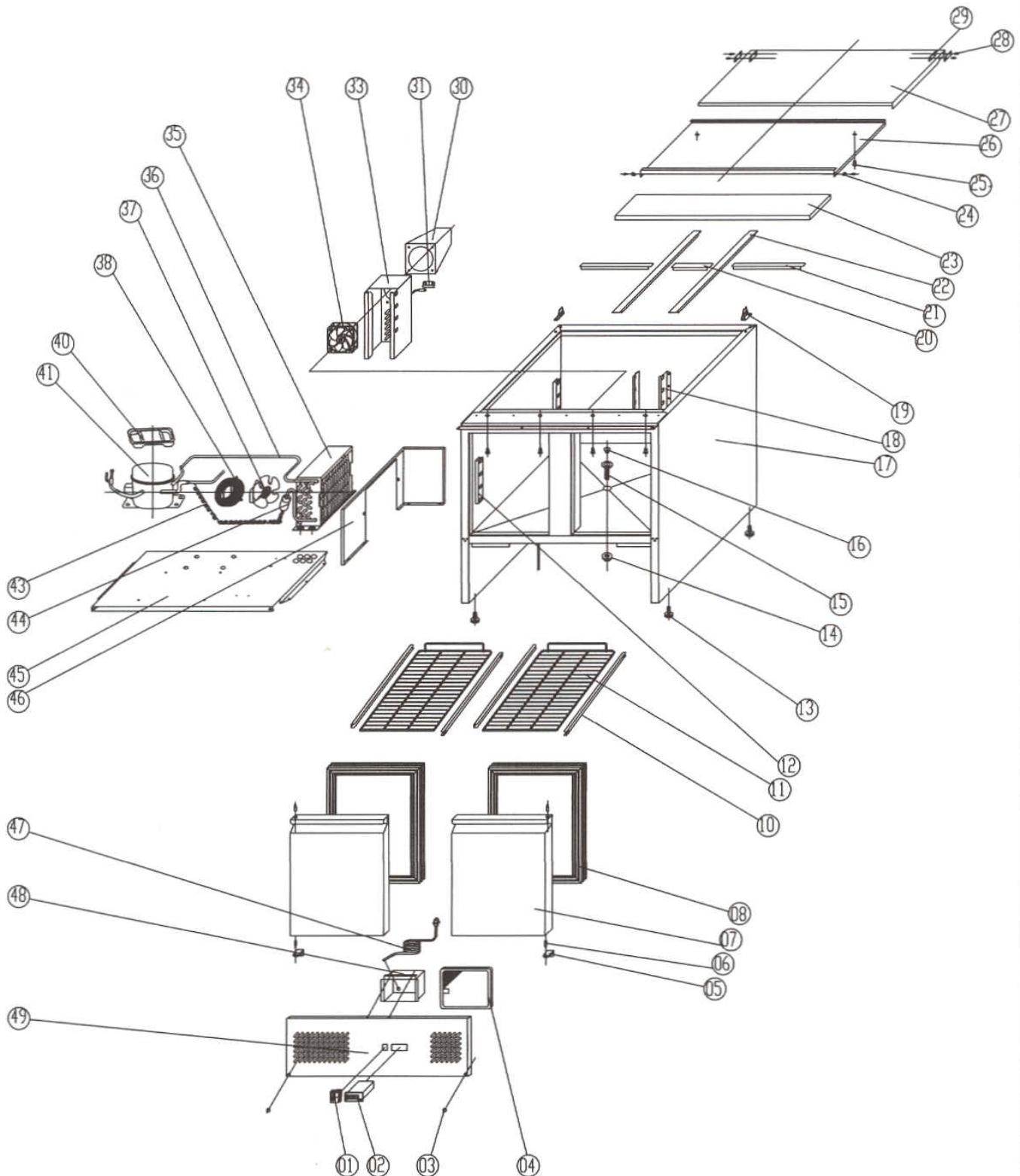
Exploded view



Explodierte Ansicht | Dessin technique | Rozkres
Vista en despiece ordenado

MT 900

Exploded view 1/1



Exploded view



Explodierte Ansicht | Dessin technique | Rozkres Vista en despiece ordenado

MT 900

| ARTICLE | NUMBER | POSITION |
|-------------------------|---------------|----------|
| MAIN SWITCH | S900.01 | 1 |
| THERMOSTAT | S900.02 | 2 |
| PLASTIC CAP | S900.03 | 3 |
| FILTER | S900.04 | 4 |
| DOWN HINGE/LEFT/RIGHT | S900.05 | 5 |
| DOWN HINGE AXIS | S900.06 | 6 |
| DOOR/RIGHT/LEFT | S900.07 | 7 |
| GASKET | S900.08 | 8 |
| GUIDE/RIGHT/LEFT | S900.10 | 10 |
| SHELF | S900.11 | 11 |
| SIDE SUPPORT | S900.12 | 12 |
| FEET | S900STD.38M12 | 13 |
| DRAIN PIPE NUT | S900.14 | 14 |
| DRAIN PIPE | S900.15 | 15 |
| DRAIN PIPE COVER | S900.16 | 16 |
| BODY | S900.17 | 17 |
| BACK SUPPORT LEFT/RIGHT | S900.18 | 18 |
| COVER HINGE/RIGHT/LEFT | S900.19 | 19 |
| SHORT SUPPORT | S900.20 | 20 |
| MIDDLE SUPPORT | S900.21 | 21 |
| LONG SUPPORT | S900.22 | 22 |
| CUTTING BOARD | S900.23 | 24 |
| PLASTIC PIN | S900.25 | 25 |
| MOVEMENT COVER | S900.26 | 26 |
| FIXED COVER | S900.27 | 27 |
| COVER HINGE AXIS | S900.28 | 28 |
| STRENGTHENING BOARD | S900.29 | 29 |
| AIRFLOW DUCT | S900.30 | 30 |
| SENSOR FIXED CLIP | S900.31 | 31 |
| CIRCLE FAN SUPPORT | S900.33 | 33 |
| CIRCLE FAN | S900.34 | 34 |
| CONDENSER | S900.35 | 35 |
| DISCHARGE TUBE | S900.36 | 36 |
| CONDENSER FAN | S900.37 | 37 |
| BASKET GUARD GRILLS | S900.38 | 38 |
| WATER PAN | S900.40 | 40 |
| COMPRESSOR | S900.41 | 41 |
| CAPILLARY | S900.43 | 43 |
| FILTER DRIER | S900.44 | 44 |
| UNIT BOARD | S900.45 | 45 |

Exploded view



Explodierte Ansicht | Dessin technique | Rozkres
Vista en despiece ordenado

MT 900

| ARTICLE | NUMBER | POSITION |
|-----------------------|---------|----------|
| CONDENSER COVER BOARD | S900.46 | 46 |
| PLUG | S900.47 | 47 |
| JUNCTION BOX | S900.48 | 48 |
| FRONT PANEL | S900.49 | 49 |